

# OCH-047R1

Date: \_\_\_\_\_ Project: \_\_\_\_\_ Type: \_\_\_\_\_

**Ordering Guide:**

<b>Series</b>	-	<b>Series</b>	-	<b>Length</b>	-	<b>Lens</b>
OCH	-	047R1	-	CC (Specify custom length)	-	FR (Frosted)



**Features:**

- 6063-T5 Aircraft Aluminum
- Indoor/Outdoor
- Connectable
- Custom Lengths Available

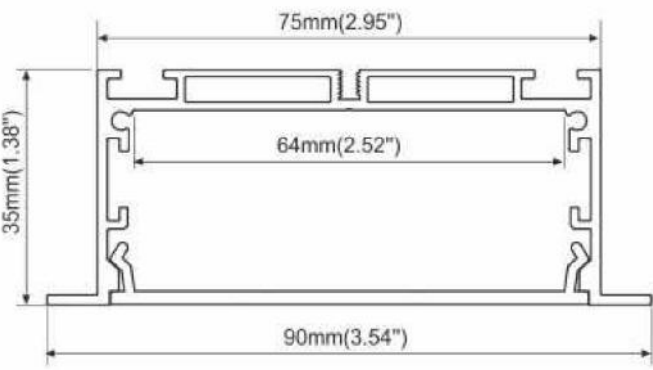
**Included Accessories**



Aluminum End Caps



Mounting Clips



**Optional Accessories**



180° Connectors



90° Connector



Inside 90° Connector



90° Channel Connector



90° IL Channel Connector



"T" Channel Connector



"X" Channel Connector