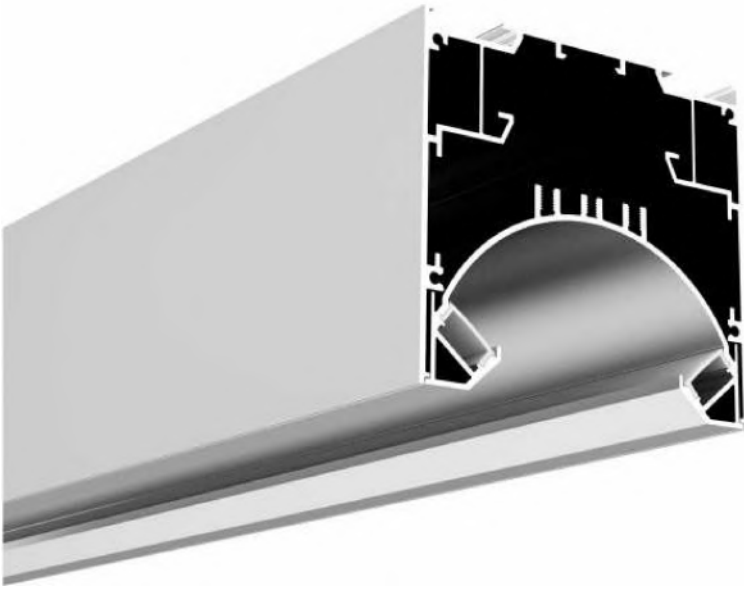


OCH-8585

Date: _____ Project: _____ Type: _____

Ordering Guide:

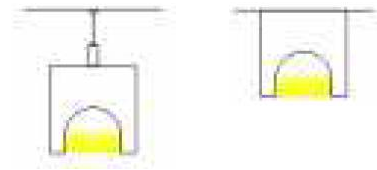
Series		Series		Length		Lens
OCH	-	8585	-	CC (Specify custom length)	-	FR (Frosted)



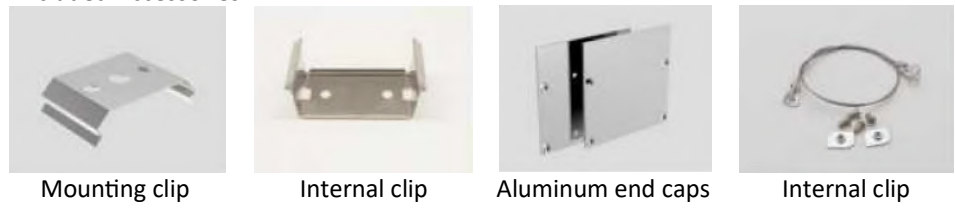
Features:

- 6063-T5 Aircraft Aluminum
- Indoor/Outdoor
- Indirect, recessed or pendant mount
- Custom Lengths Available

Mounting Options



Included Accessories

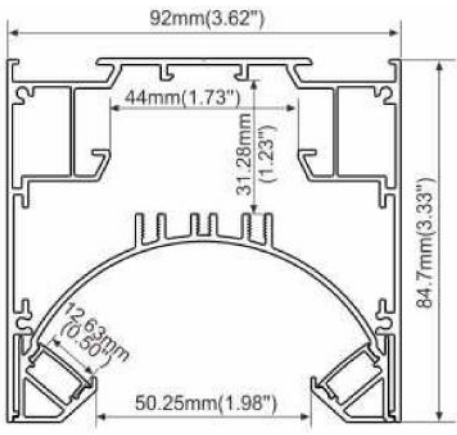


Mounting clip

Internal clip

Aluminum end caps

Internal clip



Optional Accessories



Aircraft Steel
Pendant Cable