



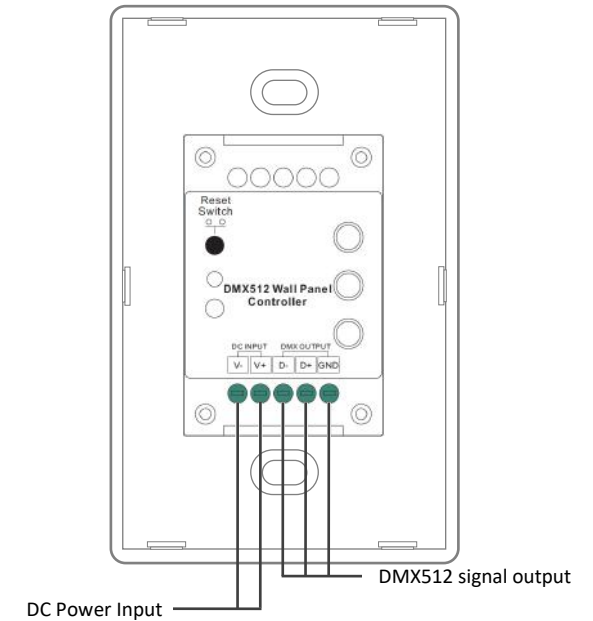
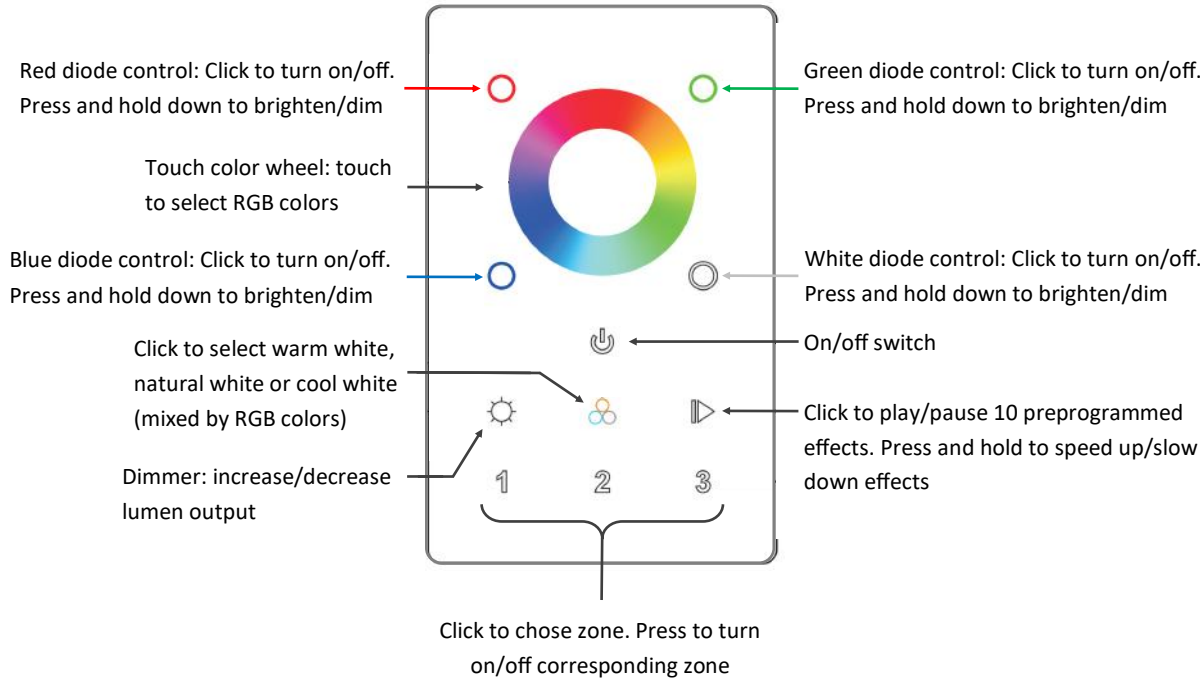
THE ART OF
ILLUMINATION

HUE-DMX-WC

INSTALLATION INSTRUCTIONS

Please read all instructions prior to installation & keep for future reference.

1. Omnilight products should be installed by a qualified electrician.
2. Check to ensure power is off at fuse box to prevent electrical shock.



Model Number	HUE-DMX-WC
Output Signal	DMX512 + WIFI Signal
Power Supply	12-24VDC
Power Consumption	< 20 mA
Operating Temperature	32 - 104° F

Features:

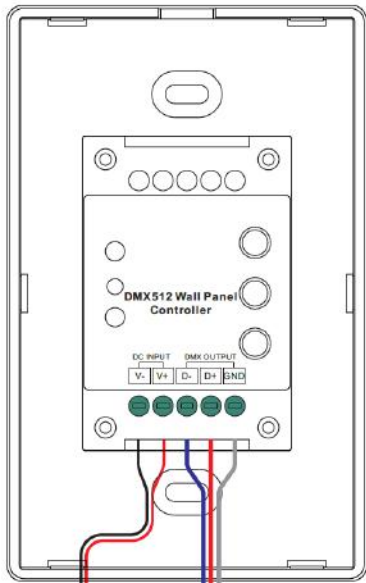
- Capacitive touch glass interface
- Standard DMX512 signal output
- Controls RGB + W (white can mixed with RGB)
- Can be controlled using mobile APP
- Controls 3 zones simultaneously or separately
- IP20



THE ART OF ILLUMINATION

HUE-DMX-WC INSTALLATION INSTRUCTIONS

Please read all instructions prior to installation & keep for future reference.



Omnilight 24VDC Power Supply
Apogee, PS2 or CAP Series

Set DMX Address

The HUE-DMX-WC controls 3 zones of DMX decoders by setting DMX decoder's address as follows:

- HUE-DMX-DECODER with address 001 is controller by Zone 1
- HUE-DMX-DECODER with address 005 is controller by Zone 2
- HUE-DMX-DECODER with address 009 is controller by Zone 3

DC Power Input

