

GENESIS 2.0 SERIES

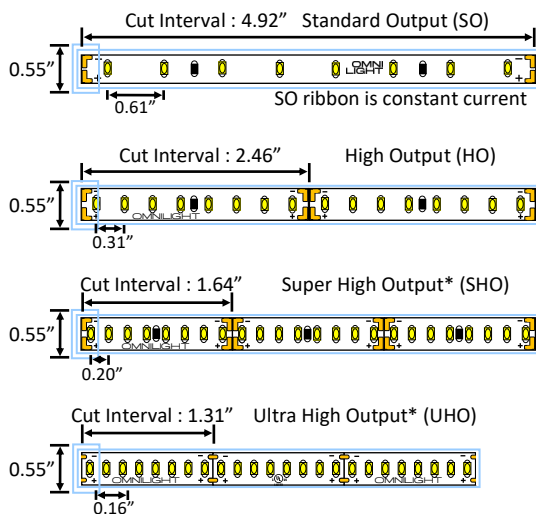
EXTERIOR



Date: _____ Project: _____ Type: _____

Ordering Guide:

Series	CCT	Output/Foot	Length
GEN2			
GEN2WL (IP65)	24 (2400K)	SO (1.5watts)	CC @XX (custom cut, specify footage)
GEN2WP (IP68)	27 (2700K)	HO (3.0watts)	
	30 (3000K)	SHO (5.0watts)	
	35 (3500K)	UHO (8.0watts)	
	41 (4100K)		



Note: Drawings not to scale.

Features:

- 120° beam angle
- 24 Volt
- CRI 90+
- 2 steps Macadam's Ellipse
- Dimmable: ELV,MLV,TRIAC or 0-10V
- Field cuttable
- 50,000 hour life
- 5 year warranty
- IP65 - IP68
- LM80

Model Number	GEN2WL-XX-SO	GEN2WL-XX-HO	GEN2WL-XX-SHO	GEN2WL-XX-UHO	
Lumens/foot	2400K	162	327	537	866
	2700K	174	354	577	915
	3000K	196	394	650	1000
	3500K	205	406	693	1068
	4100K	226	449	735	1174
Watts/foot		1.5	3.0	5.0	8.0
Cut section length		4.92"	2.46"	1.64"	1.31"
Diode spacing (pitch) O.C.		0.61"	0.31"	0.20"	0.16"
Diodes per foot		19	39	58	73
Maximum run length		35'	32'	19'	12'

Use "WP" instead of "WL" for IP68 ribbon

Custom cut lengths supplied with 24" soldered lead standard - longer lead can be specified

All Omnilight products are tested and warrantied for use exclusively with Omnilight power supplies

OL1

