



THE ART OF ILLUMINATION

APEX SERIES INSTALLATION INSTRUCTIONS

Please read all instructions prior to installation & keep for future reference.

1. Omnilight products should be installed by a qualified electrician.
2. Check to ensure power is off at fuse box to prevent electrical shock.
3. Omnilight products can be mounted on most surfaces.
4. Make sure the surface is clean and dry before mounting.



All Omnilight products are cUL and/or cETL listed

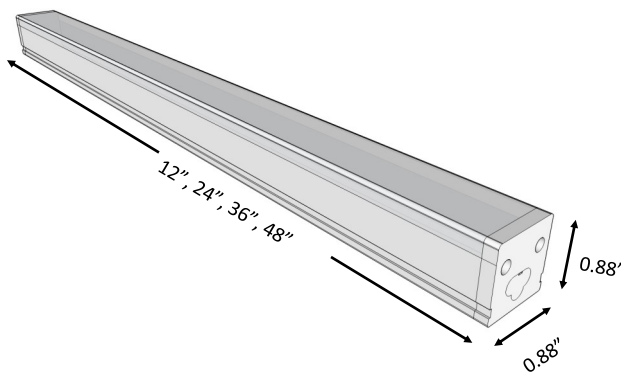
Make all connections and test system before installing to surface

Installing fixture

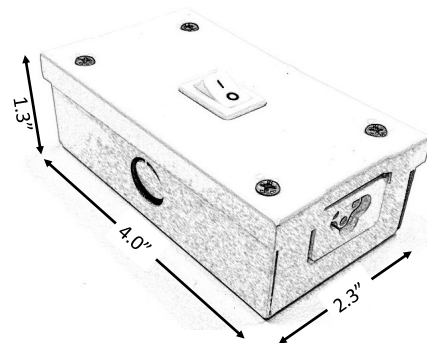
The Apex series 120VAC light bars can be powered by using a cord & plug w/switch (ATPCP-65), hard-wired using ATP-36, or connected to the Omnilight junction box w/ATA connector (ASB-WH & ATA series connector).

- Install using ATPCP-65: Connect Apex light bar to ATPCP-65, install light bar using the clips or 3M VHB double stick tape, plug light bar into outlet.
- Install using ATP-36: The ATP-36 is for hardwiring the Apex to a junction box (by other). It is a 36" lead that plugs into the Apex light bar and has tinned wires for electrical connection.
- Install using ASB-WH: Using one of the knockouts, connect the ASB-WH to the 120VAC source (take-all connector and wire nuts included). Use an ATA-XX connector to connect the light bar to the ASB-WH

APX Series LightBar



ASB-WH



All Omnilight products are tested and warranted for use exclusively with Omnilight power supplies