

GENESIS SERIES

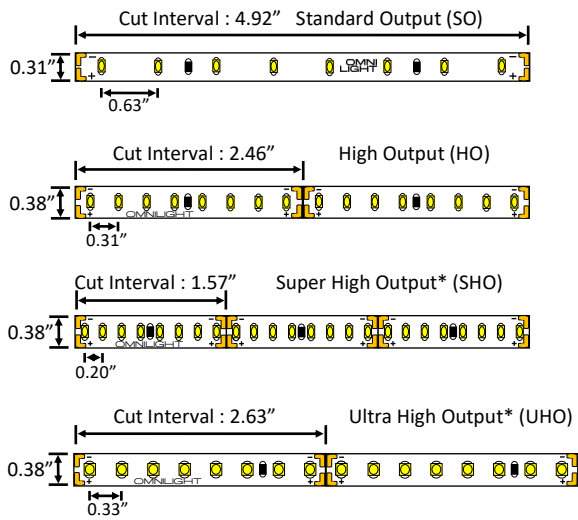
INTERIOR



Date: _____ Project: _____ Type: _____

Ordering Guide:

Series	CCT	Output/Foot	Length
GEN	24 (2400K)	SO (1.8watts)	98 (full reel - 98.4 feet)
	27 (2700K)	HO (3.5watts)	CC @XX (custom cut, specify footage)
	30 (3000K)	SHO (5.3watts)	
	35 (3500K)	UHO (6.6watts)	
	41 (4100K)		



*SHO & UHO ribbons must be mounted in channel

Features:

- 120° beam angle
- 24 Volt
- CRI 90+
- 2 steps MacAdam Ellipse
- Dimmable: ELV,MLV,TRIAC or 0-10V
- Field cuttable
- 50,000 hour life
- 5 year warranty
- IP20
- LM80

Note: Drawings not to scale.

Model Number	GEN-XX-SO	GEN-XX-HO	GEN-XX-SHO	GEN-XX-UHO	
Lumens/foot	2400K	150	325	462	755
	2700K	162	354	503	821
	3000K	170	362	550	860
	3500K	222	410	630	870
	4100K	229	454	676	891
Watts/foot		1.8	3.5	5.3	6.6
Cut section length		4.92"	2.46"	1.57"	2.63"
Diode spacing (pitch) O.C.		0.63"	0.31"	0.20"	0.33"
Diodes per foot		20	40	60	38
Maximum run length		35'	27'	18'	14'6"

98.4' bulk reels supplied with 24" soldered lead & (15) ribbon to power supply connectors
 Custom cut lengths supplied with 24" soldered lead standard - longer lead can be specified

All Omnilight products are tested and warrantied for use exclusively with Omnilight power supplies

